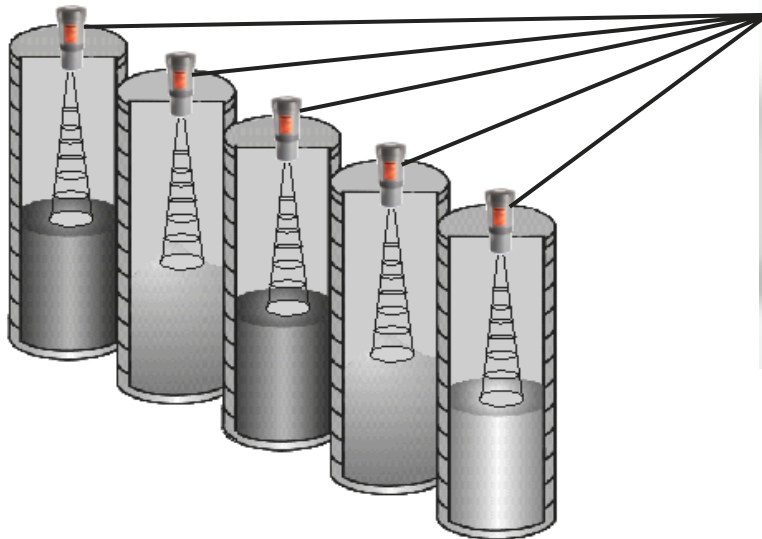


SmartSonic Display Modules & Enclosure



BinMaster SmartSonic Display Module Enclosure with 5 Bargraph Display Modules

SmartSonic bargraph display modules can be used with any of the SmartSonic Ultrasonic Transmitters for remote indication of tank level. The display modules are available with optional relay outputs to provide process control and local alarms, and process loop analog output modules to be used to retransmit SmartSonic vessel data to a PLC/DCS or other analog devices.

The NEMA-4X SmartSonic Display Module Enclosure houses up to 5 display modules. This cabinet is made from high impact polycarbonate material, and will withstand harsh industrial environments. A transparent cover offers protection for internal components, yet allows full visibility of the display modules.

General Features

- **Optional Configurations**
Can be configured to match your specific operational needs
- **Various Voltage Options**
Auto-sensing AC/DC power supply for voltages between 85-265 VAC / 95-370 VDC; 15-48 VAC / 10-72 VDC
- **Output Options**
Current loop and relay outputs
- **Dual Setpoints**
Optional dual set points with easy adjustment from the front of the display module

BINMASTER
Taking Control... To A Higher Level

Distribué par :

HVS
PRECONISATEUR DE SOLUTIONS DEPUIS 1985

2 rue René Laennec 51500 Taissy France
Fax: 03 26 85 19 08, Tel : 03 26 82 49 29

Email : hvssystem@hvssystem.com
Site web : www.hvssystem.com

SmartSonic Display Modules & Enclosure



**A Versatile,
Modular Bargraph
Display with
Optional Dual
Setpoints and
Relay Outputs**



**A Versatile,
51 Segment
Bargraph with a
4-Digit LED
Display with Relay
and Analog
Outputs Standard**

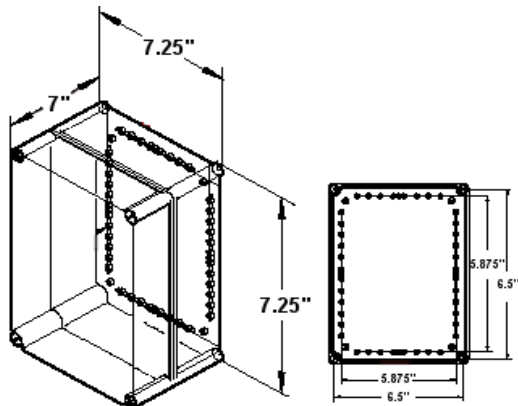
Technical Specifications

Models: SSCM-1, SSCM-2, SSCM-3, SSCM-4

Input Specs:	Process Loop, 4-20 mA (0-100.00)
A/D Converter:	31 step flash converter
Accuracy:	± 0.05% of reading + 3 counts
Temperature Coeff:	100 ppm/°C (typical)
Warm-Up Time:	2 minutes
Display:	31 red LED segments
Positive Overrange:	All segments flash
Negative Overrange:	Zero segments flash
Power Supply:	Standard Unit = 85-265 VAC / 95-370 VDC @ 2.5W Low Voltage Unit = 15-48 VAC / 10-72 VDC @ 2.5W
Operating Temp:	25° to 140° F (0° to 60° C)
Storage Temp:	0° to 160° F (-20° to 70° C)
Optional Relay Output:	One 5A Form 'A' and one 10A Form 'C' relays
Case Dimensions:	1/16 DIN. Bezel: 3.78" X 0.95" (96 X 24 mm) Depth behind bezel 4.83" (122.2 mm) Plus 0.5" (12.7 mm) for right-angled connector
Weight:	7 oz.

Models: SSCM-5, SSCM-6

Input Specs:	Process Loop, 4-20 mA (0-100.00)
A/D Converter:	14 bit single slope
Accuracy:	± 0.05% of reading + 3 counts
Warm-Up Time:	2 minutes
Display:	4 digit 0.31" Red LED display
Decimals:	User programmable
Positive Overrange:	Bargraph and top segments of digital display flash
Negative Overrange:	First segment of bargraph and bottom segment of digital display flash
Display Range:	-1999 to 9999 counts—101 segment digital display 0 to 101 segments on bargraph
Power Supply:	Standard Unit = 85-265 VAC / 95-370 VDC @ 2.5W Low Voltage Unit = 15-48 VAC / 10-72 VDC @ 2.5W
Operating Temp:	25° to 140° F (0° to 60° C)
Storage Temp:	0° to 160° F (-20° to 70° C)
Standard Relay Output:	One 5A Form 'A' and one 10A Form 'C' relays
Case Dimensions:	1/16 DIN. Bezel: 3.78" X 0.95" (96 X 24 mm) Depth behind bezel 4.83" (122.2 mm) Plus 0.5" (12.7 mm) for right-angled connector
Weight:	6.5 oz.



Model SSE5

Distribué par :

BINMASTER

HVS
PRECONISATEUR DE SOLUTIONS DEPUIS 1986

2 rue René Laennec 51500 Taissy France
Fax: 03 26 85 19 08, Tel : 03 26 82 49 29

Email : hvssystem@hvssystem.com
Site web : www.hvssystem.com

Material:	Polycarbonate
Approvals:	NEMA 1, 4, 4X, 6, 6P, 12 and 13
Temp. Range:	-40° to 175° F (-40° to 80° C)
Cover:	Clear Transparent PC
Gasket:	PUR/EPDM
Chemical Resistance:	Good
Mounting Plate:	Brushed Aluminum with slots for five display modules