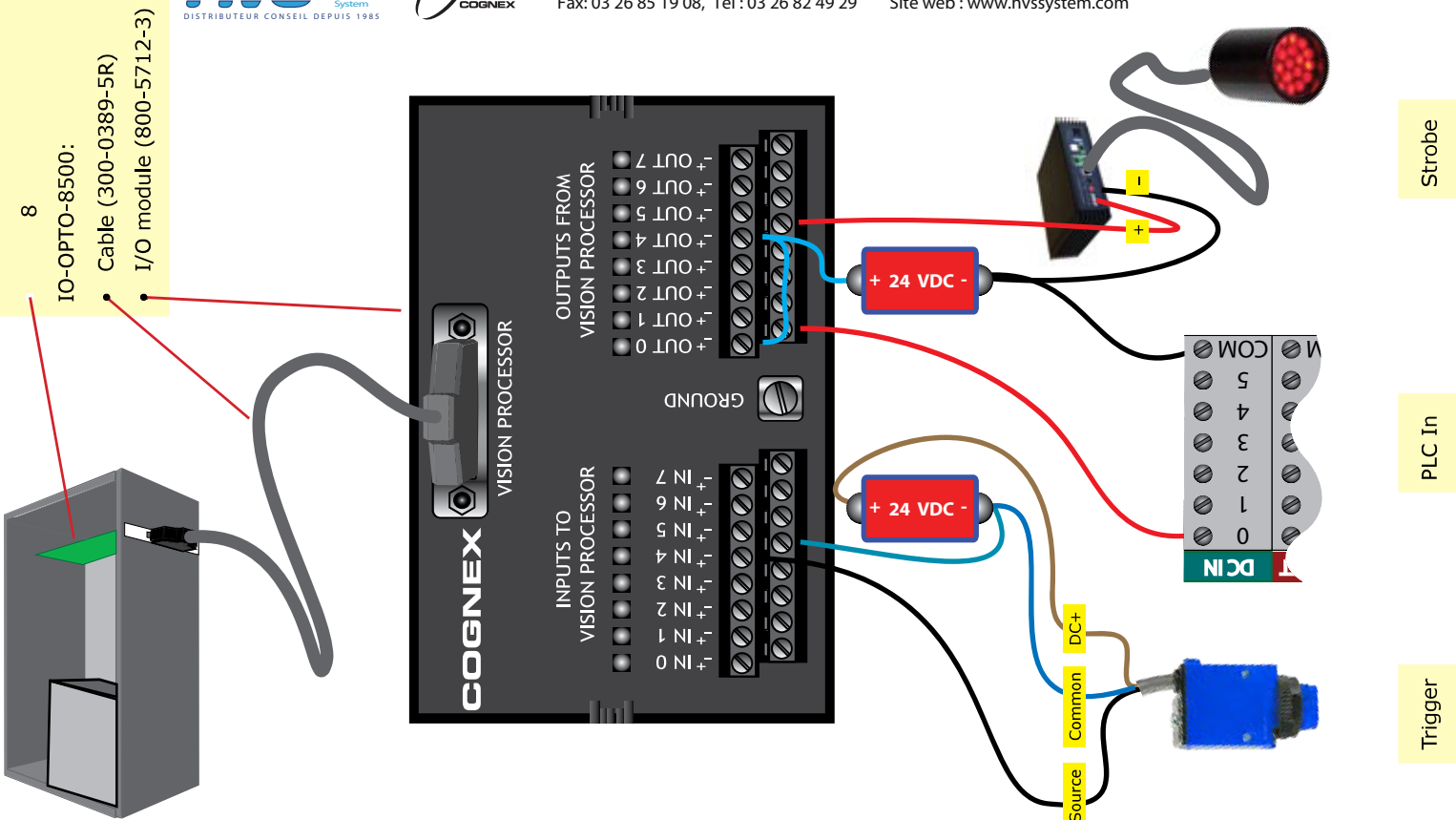


MVS-8500 Opto-Isolated Wiring



2 rue René Laennec 51500 Taissy France
 Fax: 03 26 85 19 08, Tel : 03 26 82 49 29

Email: hvssystem@hvssystem.com
 Site web : www.hvssystem.com



The MVS-8500 provides opto-isolated connections for trigger inputs, strobe outputs, and general-purpose inputs and outputs using the IO-OPTO-8500 kit, which comprises an I/O module (800-5712-3) and cable (300-0389-5R).

General Wiring Notes

Physical line state of Opto I/O module output lines is inverted from other modules. Logical true means no current flow; logical false means current flow.

Opto I/O module provides no power for input or output devices. All lines are polarity independent and can be connected to sinking or sourcing devices.

Keep in mind that you must specify, in software, which I/O configuration you are using.

Signal Names

The following table maps module lines to VisionPro software lines and Communications Explorer line names.

Inputs		Outputs	
Label	Comm. Explorer Name	Label	Comm. Explorer Name
IN0	Input 0	OUT0	Output 4
IN1	Input 1	OUT1	Output 5
IN2	Input 2	OUT2	Output 6
IN3	Input 3	OUT3	Output 7
IN4	T Input 8	OUT4	S Output 9
IN5	T Input 10	OUT5	S Output 11
IN6	T Input 12	OUT6	S Output 13
IN7	T Input 14	OUT7	S Output 15

Lines IN4-IN7 reserved as triggers for Camera 0-3; Lines OUT4-OUT7 reserved as strobes for cameras 0-3.

For more information:

- See MVS-8500 Hardware Manual.
- See topics on I/O line numbering and Communications Explorer in VisionPro online documentation.