

Incremental Revolution transmitter

# ADG60/24/500

500 \* 4 Impulse



## Digitronic Automationsanlagen GmbH

Steinbeisstraße 3 · D - 72636 Frickenhausen · Tel. (+49)7022/40590-0 · Fax -10  
Auf der Langwies 1 · D - 65510 Hünstetten-Wallbach · Tel. (+49)6126/9453-0 · Fax -42  
Internet: <http://www.digitronic.com> · E-Mail: [mail@digitronic.com](mailto:mail@digitronic.com)

## Notification

This handbook corresponds with the unit version of März 99. The company Digitronic Automationsanlagen GmbH reserves the right to implement changes that result in an improvement of the quality and the functions of the device at any time and without any announcements.

This instructions manual was created with a maximum of care, but mistakes are not out of the question. We are thankful for any comments, regarding possible mistakes in the instruction manual.

## UP-date

You can also obtain this instruction manual on the Internet at <http://www.digitronic.com> in the latest version as PDF file.

## Qualified personal only

Commissioning and operation of the device may only be carried out by qualified personal. Qualified personal are persons, authorized with commissioning, grounding and labeling devices, systems and electrical circuits according to the applicable standards of security

## Liability

(1) The salesperson is liable for any damages for which he or the rightful owner is responsible up to the amount of the actual salesprice. Liability concerning missed profits, failed-to-appear savings, indirect damages and consequential damage is excluded.

(2) The liability restrictions above are not valid concerning assured characteristics and damages, which are caused by intention or coarse negligence.

## Protection

The device ADG60/24/500 and this instruction manual are protected by copyright. All rights are reserved. Neither the device ADG60/24/500, nor this document may be copied as a whole or partially, photocopied, reproduced, translated or transferred to electronic media of any kind or into machine readable format without prior written permission by the company Digitronic Automationsanlagen GmbH.

**Note:** The products of Digitronic are so well constructed that they will not be effected by the millenium.

**Note:** This device fulfills the following norms according to electromagneticalcompatibility: EN 55011, EN 55022, EN 55024 Teil 2, EN 50082 Teil 2, ENV 50140, VDE 0843 Teil 2, VDE 0843 Teil 4, VDE 0871, VDE 0875 Teil 3 ("N"), VDE 0875 Teil 11, VDE 0877 Teil 2, IEC 801 Teil 3, IEC 801 Teil 2, IEC 801 Teil 4, IEC 801 Teil 5.



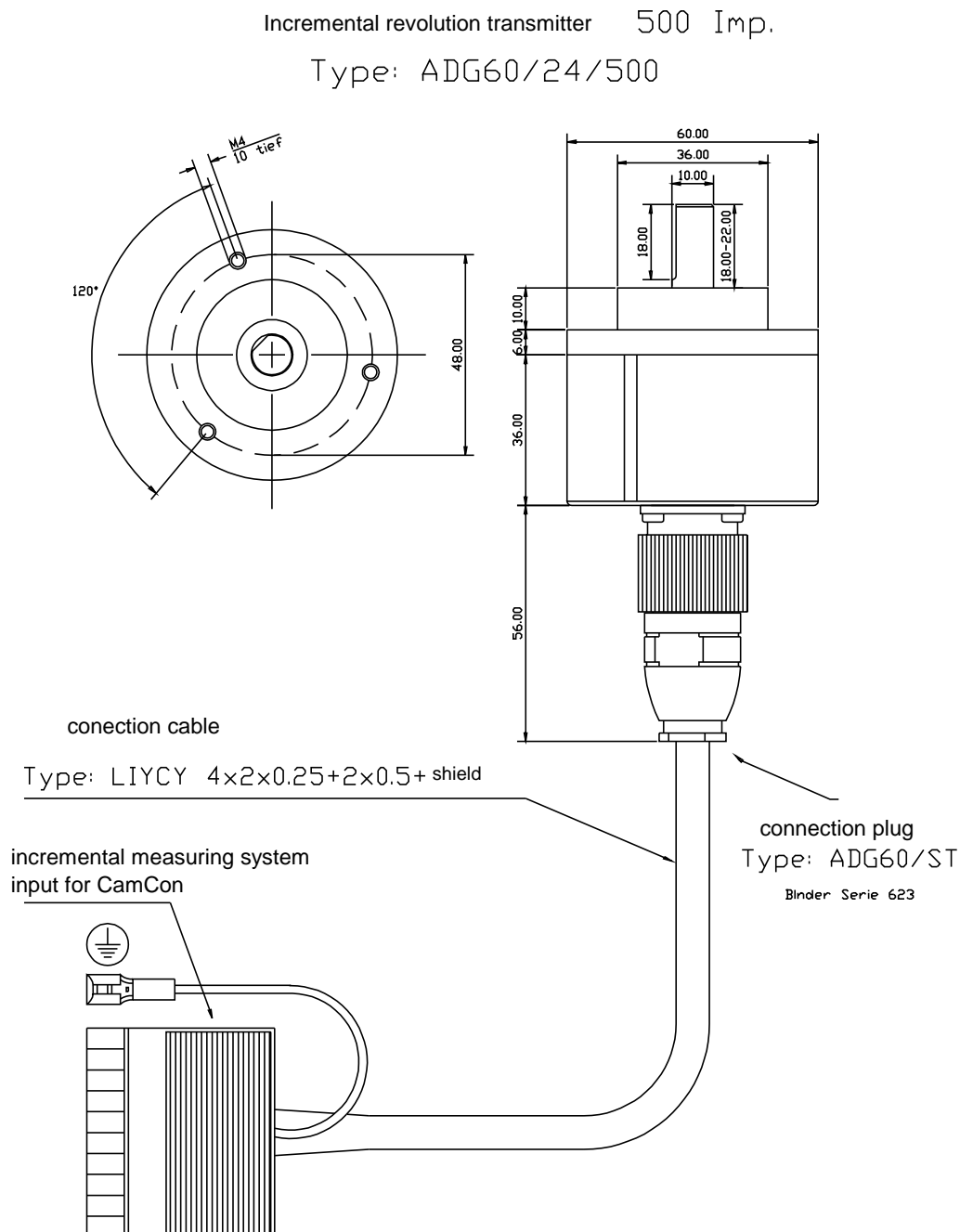
(c) Copyright 1992 - 2004 / Datei: ADG60E.DOC

Digitronic Automationsanlagen GmbH  
Auf der Langwies 1  
D-65510 Hünstetten - Wallbach  
Tel. (+49)6126/9453-0 Fax. (+49)6126/9453-42  
Internet: <http://www.digitronic.com> / E-Mail: [mail@digitronic.com](mailto:mail@digitronic.com)

## 1. The incremental revolution transmitter ADG60/24/500

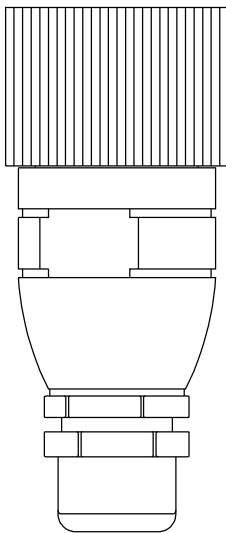
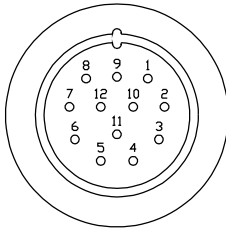
The incremental revolution transmitter ADG60/24/500 is able to measure impulses with a resolution of 2000 impulses per revolution and the incremental measuring system of the CamCon camswitch enables evaluating them.

### 1.1. The incremental revolution transmitter ADG60/24/500's components



## 1.2. Die Anschlußbelegung des ADG60/24/500 Winkelcodierers

Anschlußstecker  
Type: ADG60/24/500/ST  
Binder Serie 623  
Lötseite

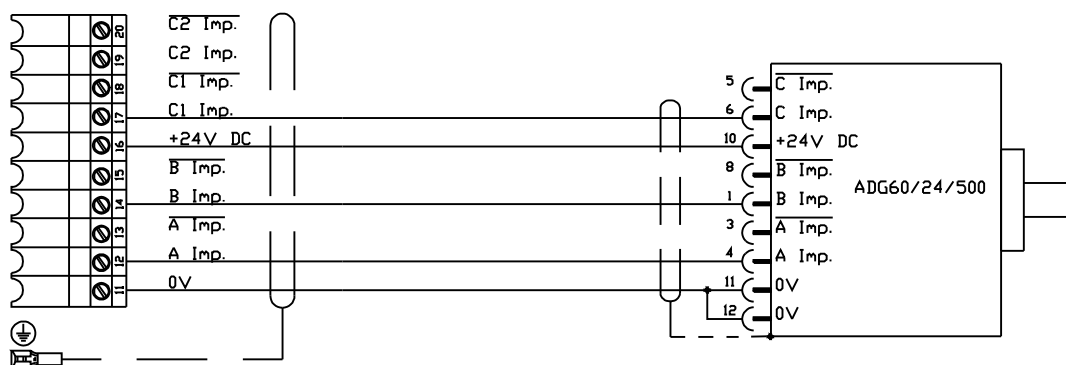


**Achtung:** Die Nummerierung des Anschlußsteckers kann von Hersteller zu Hersteller in der Reihenfolge unterschiedlich sein. Wird ein Stecker mit einer anderen Reihenfolge angeschlossen, so muß dies unter Berücksichtigung der dargestellten Anschlußbelegung geschehen. Die Lage der Stifte muß mit der Funktion am Gerät übereinstimmen. In diesem Handbuch wurde ein Stecker der Binder Serie 623 verwendet.

**Achtung:** Eine Verpolung der Anschlußkabel kann zur Zerstörung des CamCon's oder des Winkelcodierers führen.

Der Anschlußstecker der CamCon Wegmeßsystemschnittstelle ist vom Type des CamCon's abhängig. Sehen Sie bitte das Handbuch ihres CamCon's

Anschlußstecker Winkelcodierer  
Type: ADG60/24/500/ST Type: ADG60/24/500  
Binder Serie 623



max. cable length: 300m  
cable: e.g. LIYCY 4x2x0.25 + 2x0.5 + shielding

Order No KKyy/DG60-XX meters

yy = CamCon Type. e.g. 16,33,40,50,60,90,115 or 300 / XX = length of the cable in meters

## 2. Installation and bringing into service

Rotation encoders are precision measuring units and therefore have to be handled as such. Please regard the following installation instructions before bringing the rotation encoder into service.

- When installing the rotation encoder, pay attention to the slight angular and radial misalignment. (See technical data of the to be used couplings). Avoid blows towards the shaft and regard the values concerning the shaft loads, which are listed on the data sheet.
- Use flexible couplings ! The kind of couplings is determined by the speed, the torque, and the to be by-passed angular and radial misalignment.
- Connect the rotation encoder to the corresponding terminal assignment. See to it, that the operating voltage recommended on the type plaque is installed.
- The plug should not be connected or disconnected when under voltage.
- If the rotation encoder, even if correctly installed, does not function properly, intermittent faults can be the cause of that. Such faults are due to power supply switchings, pulse mode controllers or motors etc. Such faults can be reduced through proper protection facilities and through using cables with a better shielding or an appropriate filtering network.
- Should the occasion arise, protect the rotation encoder against environmental damage. (solid particle impact, water spray ect.).  
If any interventions are carried out by unauthorized personnel the factory guarantee becomes invalidated !

Please review the wiring of the unit before switching it on and then engage the supply voltage of the CamCon .

### 2.1. Technical data of the AAG626 multiturn rotation encoder

Voltage supply.....	24VDC +-20%
Power consumption .....	150mA
Resolution .....	4096 impulse / turn x 4096 rotations (max. 16777216 impulse).
Measuringuncertainty.....	0.66°
Data output.....	synchronos serial (SSI), graycode
Cycle time .....	0.5 ms
Initialisation timeP after Power UP.....	1050 ms
Monofloptime .....	15..25 µs
Cablelength between rotation encoder and CamCon.....	300 meter max.

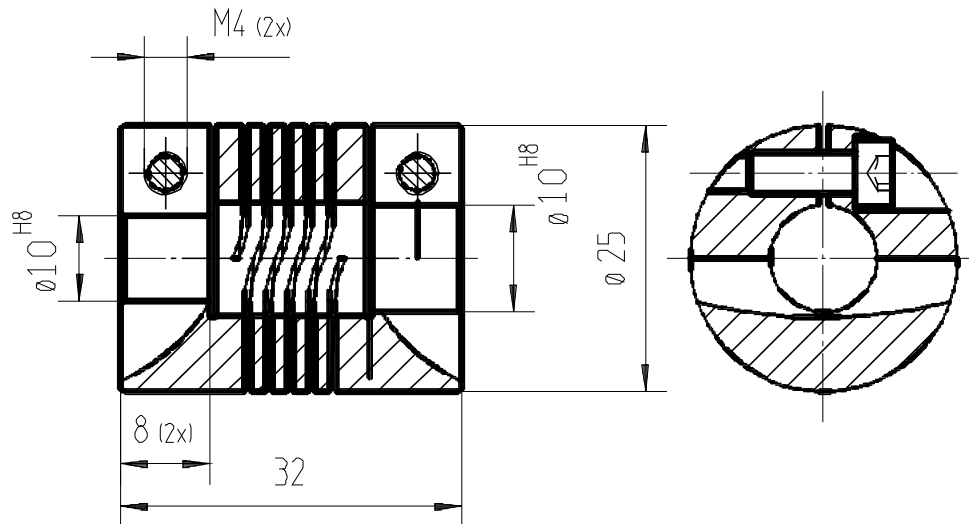
#### Mechanical characteristics

Valid torque .....	maximum 6000 min <sup>-1</sup>
Angular acceleration of the rotor.....	5 x 10 <sup>5</sup> rad s <sup>-2</sup>
Inertia of the rotor.....	35 gcm <sup>2</sup>
Start-up torque .....	2.5 Ncm
Shaft load (at the shaft-end) .....	axial 50 N / radial 300 N
Resistance against vibrations .....	20/10 - 20000 g/Hz
Resistance against shocks .....	100/6 g/ms
Protection.....	Case IP 65
Operating temperature.....	-20..+85°
Weight.....	about 500 g.

### 3. The shaft couplings

Encoders are precision measuring units and therefore have to be kept apart from the vibrations and tremors, as well as the from the misalignment of the machine. To part the encoder from these influences use the flexible shaft couplings.

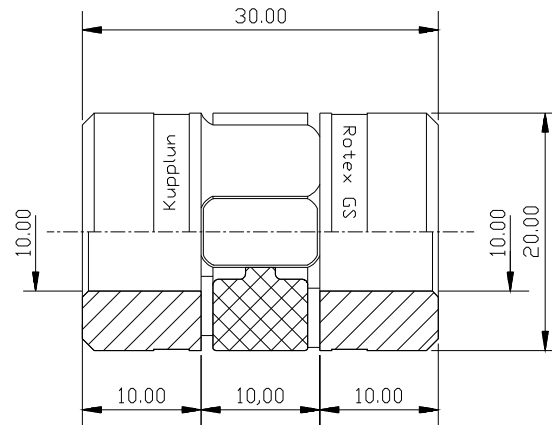
#### 3.1. Wendel - shaft couplings type: WK/A/10-10



##### 3.1.1. Technical data

Outer diameter .....	25 mm
Length .....	32 mm
Clamp-screw .....	M4
Nominal torsial moment .....	120 Ncm
Acceptable radial shift.....	+/- 0.35 mm
Acceptable axial shift .....	+/- 0.5 mm
Acceptable angle-shift.....	+/- 4 degree
Torsions strength .....	16 Nm/rad
Acceptable rotation speed .....	6000 U/min
Weight.....	ca. 34g

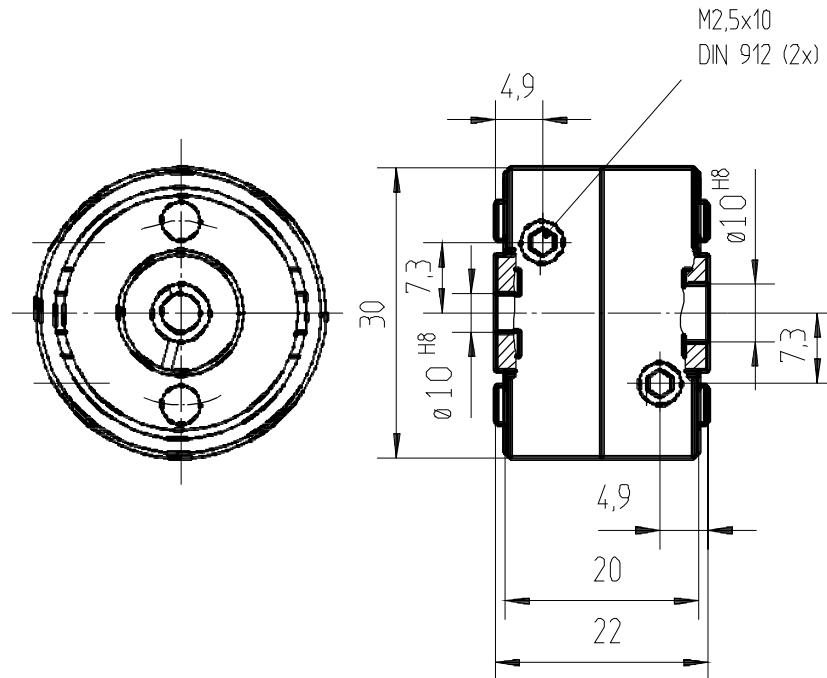
### 3.2. The shaft couplings WK/K/10-10



#### 3.2.1. Technical data

Outer diameter .....	20mm
Length .....	29,5mm
Clamp screw .....	M 2,5
Standart torque .....	1,94 Nm
Valid radial shift.....	+/- 0,13 mm
Valid axial shift .....	+/- 0,8 mm
Valid angular misalignment.....	+/- 1 Grad
Torsion stiffness.....	31,5 Nm/rad
Valid torque .....	28000 min <sup>-1</sup>
Weight.....	20 g

**3.3. Isolting springdisks - shaft coupling type: WK/D/10-10**



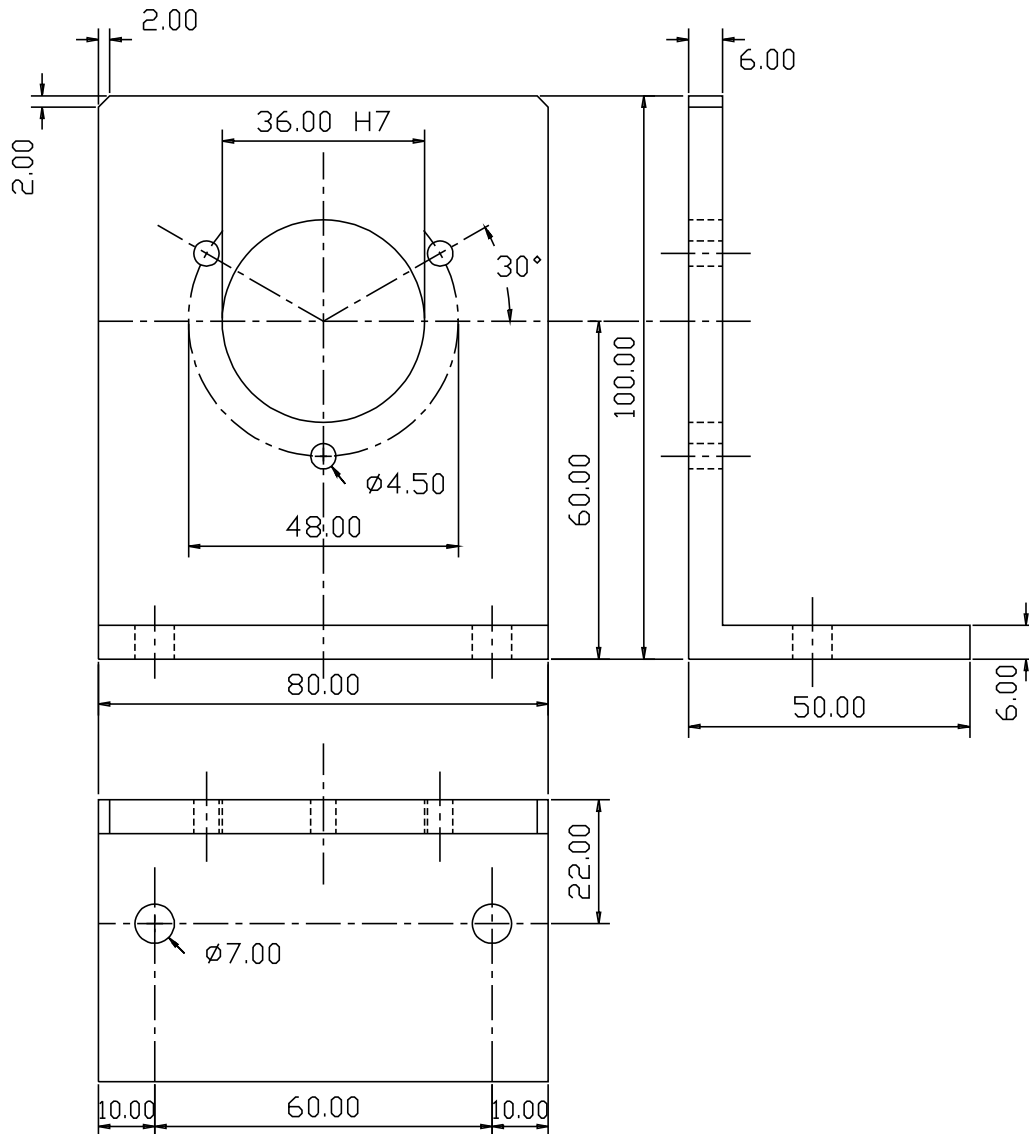
**3.3.1. Technical data**

Outer diameter .....	30 mm
Length .....	22 mm
Clamp-screw .....	M2.5
Nominal torsial moment .....	40 Ncm
Acceptable radial shift .....	+/- 0.4 mm
Acceptable axial shift .....	+/- 0.4 mm
Acceptable angle-shift .....	+/- 2.5 Grad
Torsions strength .....	90 Nm/rad
Acceptable rotation speed .....	12000 U/min
Weight .....	ca. 23 g



#### 4. Clamping

##### 4.1. Angle flange type: WF/AG



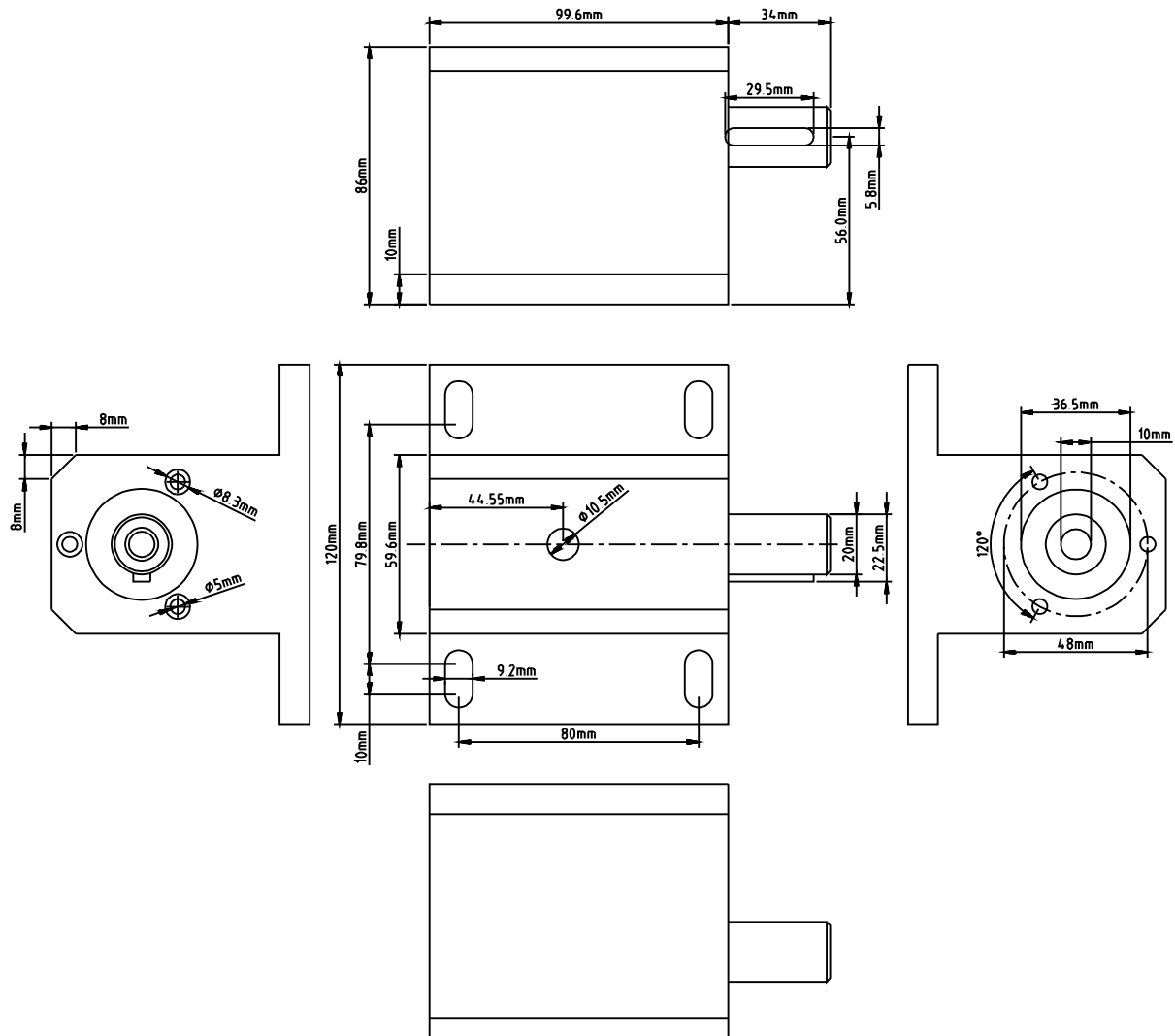
##### 4.1.1. Technical data

Suitable for ..... AAG60007, AAG612, AAG626, AAG66107,  
AAG615 and ADG60 i.e. all turn-angle-encoder  
with 48 mm partial circle, 36 mm flange and 10 mm  
shaft.

Clamping of the turn-angle-encoder ..... by three DIN 912 M4x12mm screws.

Weight..... approximately 180g.

#### 4.2. Bearing trestle: LAG60



#### 4.2.1. Technical data

- Suitable for ..... AAG60007, AAG612, AAG626, AAG66107, AAG615 and ADG60 i.e. all turn-angle-encoder with 48 mm partial circle, 36 mm flange and 10 mm shaft.
- Acceptable rotation speed ..... 3000 U/min.
- Shaft drive ..... 20mm with closed shaft notch.
- Shaft drive ..... 10mm to the turn-angle-encoder with shaft coupling WK/K/10-10.
- Bearing ..... 2 pieces, maintenance free groove - ball bearings.
- Clamping of the tiurn angle encoder ..... by 3 DIN 912 M4x40mm screws.
- Weight ..... approximately. 1.5kg.