

## MAINTENANCE WITHOUT THE TRAVELLING



ETIC Telecom's remote maintenance solution is designed to enable manufacturers to maintain automated devices without having to travel.

Machines all over the world can be remotely and securely maintained via existing Internet access or the telephone network, GSM or ISDN.

The remote maintenance PC is teleported onto the Ethernet or RS232-RS485 interface of the machine. The remote maintenance operator can use his usual design or diagnostic software for instance, as though he were there.

Distribué par :



Contact :  
hvssystem@hvssystem.com

Tél : 0326824929  
Fax : 0326851908

Siège social :  
2 rue René Laennec  
51500 Taissy  
France

[www.hvssystem.com](http://www.hvssystem.com)

[www.etictelcom.com](http://www.etictelcom.com)



The solution consists of three elements:

" The "RAS server", which is connected to the devices network using an Ethernet / IP or RS-232-RS485 interface.

" The M2Me\_Secure software, which is installed on the maintenance PC. It is both a machine directory and secure communication software.

The PC is teleported onto the machine network in just one click either by telephone, via the GSM network or by Internet.

" The M2Me\_Connect service can be used as an online meeting point for devices - PCs, PLCs ...- to solve more difficult cases : Dynamic IP addresses, impossible incoming connections, etc.

### Applications

- Remote machine maintenance : Automated systems, robots, measuring systems, computers, network equipments etc...

## Remote machine maintenance on a TCP/IP network

The remote user's PC is teleported onto the Ethernet network, allowing him to carry out all his usual operations as if he were there. The firewall can be tailored to restrict the machines each remote user can access (IP address and port number).

## Emails and SMS

Emails and SMS can be sent using the RAS server. An email or an SMS can be sent when a RAS server digital input is closed or by a device linked to the network (SMTP client). The RAS server routes it to the Internet if necessary.

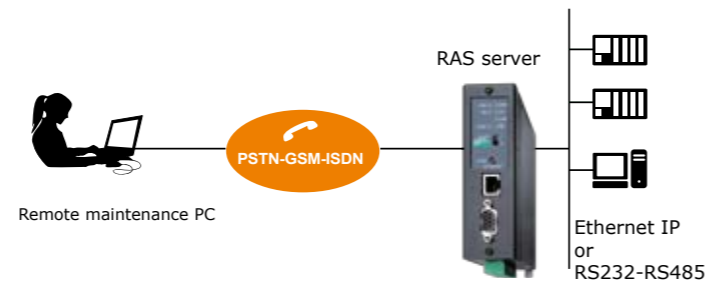
## Remote maintenance of RS232 - RS485 devices

The RAS also has an RS232-RS485 serial interface. Many automated devices on the market can be connected via the console connector, in particular Schneider, Siemens, Omron, Rockwell, Moeller, ABB devices, and more. The cables and adaptors are available in our catalogue.

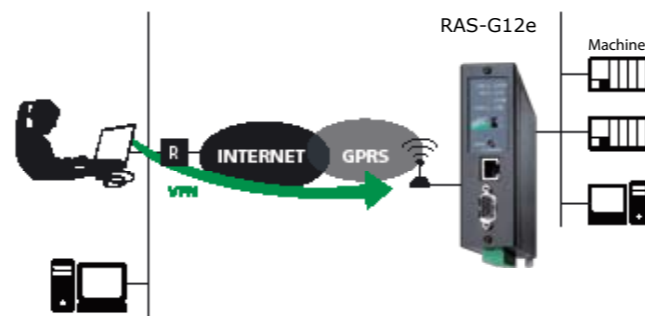
## PSTN, GSM, ISDN and Internet

The maintenance can be done as well through a usual telecom network like the telephone network (or the ISDN or the GSM) or through the Internet by using the Internet connection of the location where the machine is installed, or an ADSL line or a GPRS line.

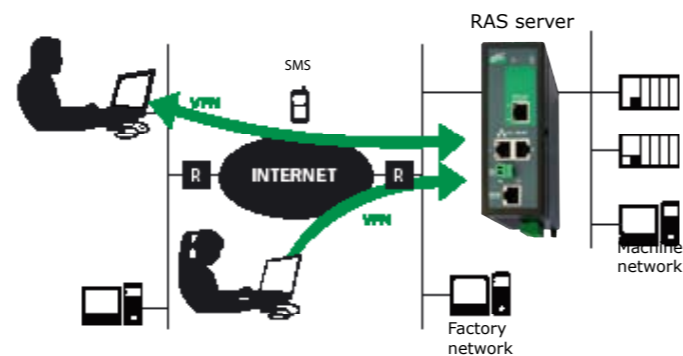
## Telephone remote maintenance



## GSM-GPRS remote maintenance



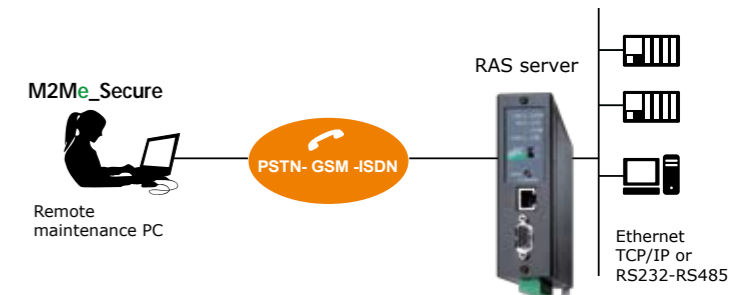
## Internet remote maintenance



## The M2Me\_Secure software : A machine directory - One click and you are connected

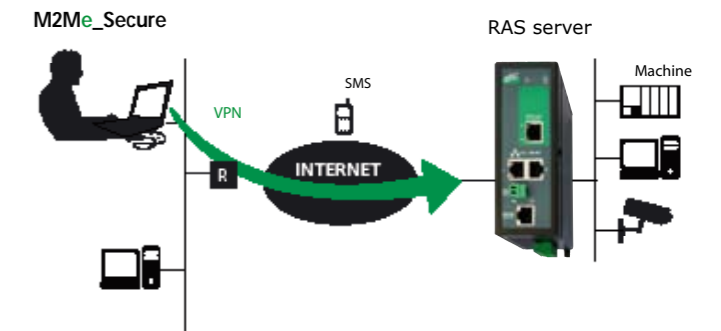
The **M2Me\_Secure** software is a directory containing the data required to connect up to any machine: IP address, domain name, the machine's mobile or landline phone number...

Whether you are using the Internet, the telephone network or GSM, one click is enough to connect the PC to the machine.



## The M2Me\_Secure software : A VPN client software for security

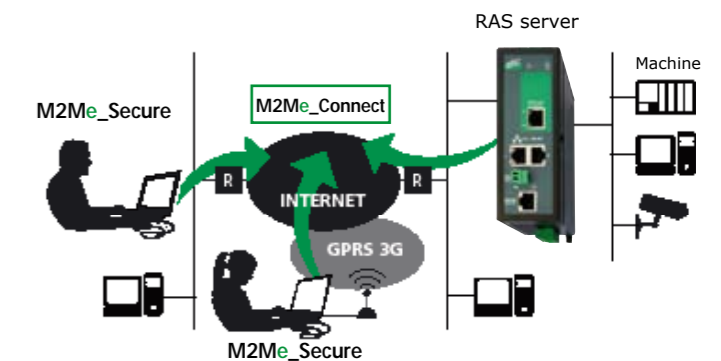
The **M2Me\_Secure** software is also a security software. It establishes a secure VPN connection which is essential for remote maintenance operations performed on machines via a public network such as the Internet: both extremities are authenticated and data to be transmitted is encrypted.



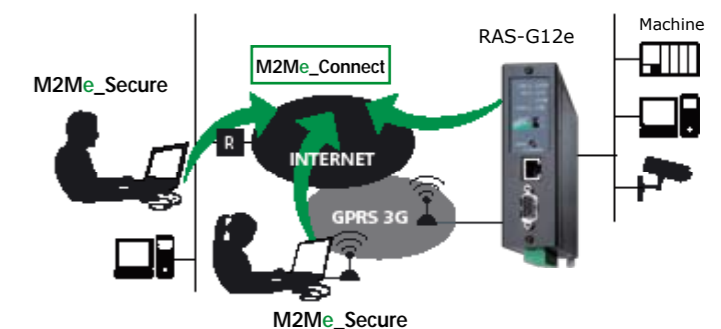
## The M2Me\_Connect service : Simplicity and ubiquity on the Internet

The **M2Me\_Connect** service makes using Internet for remote maintenance easier in solving the following cases :

- impossible incoming VPN connections;
- the remote maintenance site or the machine site does not have a fixed IP address;
- the remote maintainer is mobile;
- router configuration cannot be easily modified;
- the PC and/or the machine uses the GPRS or or 3G network.



\* RAS-E, RAS-M156E, RAS-I1128e





	RAS-M156ETH	RAS-I1128ETH	RAS-E	RAS-AD2e	RAS-M156e	RAS-I1128e	RAS-G12e
<b>Telecom network...</b>	PSTN	ISDN	-	ADSL	PSTN	ISDN	GSM /GPRS
<b>Internet funtions...</b>	NO	NO	YES	YES	YES	YES	YES
<b>Telecom network</b>							
V90 PSTN modem	•				•		
Euro-ISDN SO interface		•				•	
GSM-GPRS-EDGE							•
ADSL2+				•			
<b>Internet</b>							
Through the company network			•	•	•	•	•
Secure VPN connection through the Internet			•	•	•	•	•
VPN TLS-SSL or L2TP / IPsec or PPTP			•	•	•	•	•
M2Me_Connect compatible			•	•	•	•	•
<b>Device interface (Ethernet &amp; serial)</b>							
Ethernet 10 Mb/s	1	1			1	1	1
Ethernet 10-100 Mb/s auto MDI / MDIX			2+1	2			
Serial interface RS232-RS485			1-1	1-1	1*	1*	1*
RAW, Telnet, multicat, multi-unicast gateway			•	•	•	•	•
Modbus Master & slave			•	•	•	•	•
<b>Security</b>							
Login & password	•	•	•	•	•	•	•
Security and on demand call-back	•	•	•	•	•	•	•
User list (25 users)			•	•	•	•	•
Firewall			•	•	•	•	•
<b>Configuration &amp; diagnostic</b>							
HTML configuration (local & remote)	•	•	•	•	•	•	•
Log			•	•	•	•	•
<b>Alarms</b>							
Email & SMS			•	•	•	•	•
Digital input			1	1	3	3	3
<b>IOViewer</b>							
Modbus data html viewer			•	•	•	•	•
<b>Tested with PLCs...</b>							
Siemens, Rockwell, Schneider-Electric, Omron, ABB...	•	•	•	•	•	•	•
Application notes available							

RAS servers characteristics	
<b>Dimensions</b>	130 x 38 x 110 mm (h, l, p)
<b>Power</b>	M156e & I1128e & RAS-E : 9-40VDC 170 mA/24 VDC G134e ou G12e : 9-30VDC 300 mA/24 VDC
<b>Banned substances</b>	2002/95/CE (RoHS)
<b>Operating T°</b>	0°C /+ 60°C - 5 - 95 % humidity rate
<b>PSTN (RAS-M156e)</b>	■ V90 modem ■ International PSTN line interface
<b>GSM (RAS-G12e)</b>	■ 850/900/1800/1900 MHz
<b>GPRS-EDGE (RAS-G12e)</b>	■ Max data rate downlink 85,6 Kb/s ■ Max data rate uplink 21,4 Kb/s
<b>ISDN (RAS-I1128e)</b>	■ SO ETSI (Euro-Isdn) ■ 64 Kb/s
<b>ADSL (RAS-AD2e)</b>	■ ITU G.992.5 (ADSL2 plus) ■ 24 Mbit/s down / 1 Mb/s up
<b>RS232-RS485</b>	■ 9600 à 115200 b/s 10 ou 11 bits
<b>VPN</b>	PPTP, TLS, L2TP/IPSec

M2Me_Secure characteristics	
<b>System</b>	Windows XP, 2000. Vista coming soon
<b>VPN</b>	■ TLS-SSL client ■ UDP or TCP ■ Port number : 80, 443, 1194, 5000, 50000 to 51000
<b>Authentication</b>	■ X509 certificate
<b>Encryption</b>	■ AES - 3DES
<b>Proxi</b>	HTTP & SOCKS



ETIC TELECOMMUNICATIONS  
13, Chemin du Vieux Chêne  
38240 Meylan France

